



CITY OF EDGEWATER

Environmental Services Department
Utilities Field Operations
P.O. 100, Edgewater, FL 32132-0100
424-2400 ext. 4007

Fire Hydrant Water Meter Agreement

Date _____

I, _____ representative of _____

Am in receipt of Hydrant Meter Serial # _____

and will return on _____

Location of Hydrant to be hooked to _____

Beginning Reading _____

Ending Reading _____

Usage to be billed _____

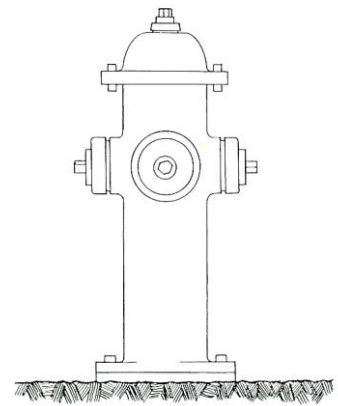
Bill to _____

Name

Address

City / State

Phone Number



Signed _____

Outgoing

Visual inspection of Hydrant Meter

Condition

Meter lens _____

Handle _____

Body _____

Return

Visual inspection of Hydrant Meter

Condition

Meter lens _____

Handle _____

Body _____